

MODEL 2480

Voltage Extender

- Extends the operating range of Time Mark 480V Three Phase Monitors up to 528VAC
- No adjustments required— simply connect power and control circuits
- 1 year warranty
- Engineered and Built in the U.S.A.



DESCRIPTION

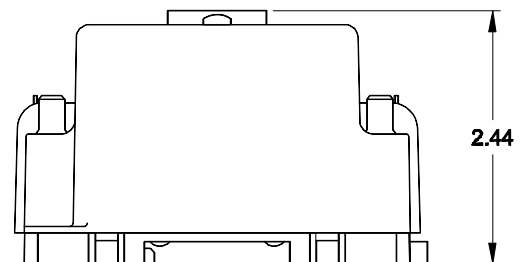
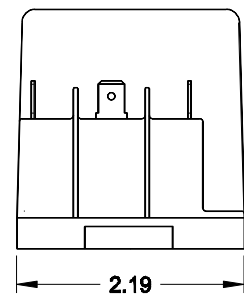
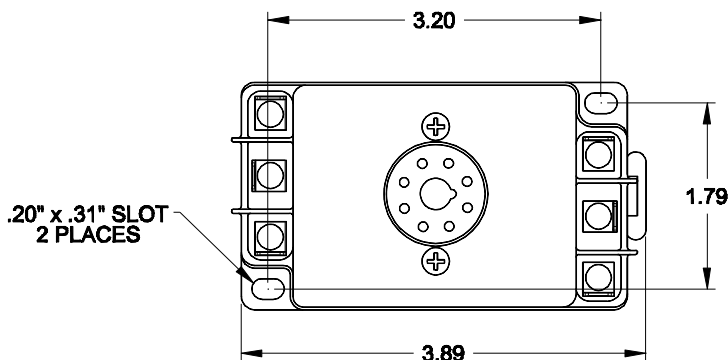
Overvoltage on your incoming power lines can increase the temperature and reduce the life span of your equipment. The **Model 2480 Voltage Extender** is used to increase the usable voltage range on Time Mark's 480 volt three phase monitors up to 528VAC (Models A257B, A258B or 19-480).

The Model 2480 has quick-connect tabs for easy connections to the incoming 3-phases and the output relay terminals as well as a built in 8-pin octal socket for the phase monitor. The 2480 can be surface mounted or DIN rail mounted.

SPECIFICATIONS

Model	2480
Nominal Input Voltage	480VAC
Maximum Input Voltage	528VAC
Power Consumption	0.6W Max
Operating Frequency	50/60 Hz
Operating Temperature	-20 to +131° F
Humidity Tolerance	0 - 97% w/o Condensation
Input Termination	6 x 0.25" Quick Disconnects
Output Termination	8-Pin Octal Socket
Enclosure Material	NORYL
Weight	4.3 Oz

DIMENSIONS



(Dimensions have a tolerance of $\pm 0.06\%$)

Telephone: Main - (918) 438-1220
Sales - (800) 862-2875
Fax: (918) 437-7584

E-mail: sales@time-mark.com
Internet: http://www.time-mark.com



11440 East Pine Street
Tulsa, Oklahoma 74116

12/2020
© 2020 TIME MARK CORPORATION

MODEL 2480

Voltage Extender

READ ALL INSTRUCTIONS BEFORE INSTALLING, OPERATING OR SERVICING THIS DEVICE.
KEEP THIS DATA SHEET FOR FUTURE REFERENCE.

GENERAL SAFETY

POTENTIALLY HAZARDOUS VOLTAGES ARE PRESENT AT THE TERMINALS OF THE MODEL 2480.
ALL ELECTRICAL POWER SHOULD BE REMOVED WHEN CONNECTING OR DISCONNECTING WIRING.
THIS DEVICE SHOULD BE INSTALLED AND SERVICED BY QUALIFIED PERSONNEL.

Installation Instructions

INSTALLATION

Mount the Voltage Extender in a suitable enclosure.

Connect 3-phase power to terminals marked ØA, ØB, and ØC. Phase rotation should be verified using a Time Mark Model 188 Phase Sequence Detector.

Connect the load control wiring to the appropriate terminals:

For motor control applications;

Use terminals C and NO.

For phase loss alarm applications;

Use terminals C and NC.

Refer to wiring diagram for typical application.

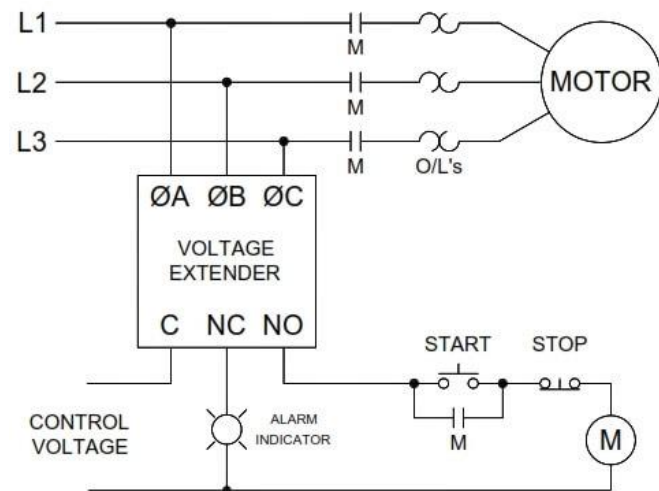
Insert the 3-phase monitor into the socket and set all adjustments fully counter-clockwise. Apply power.

If the contact does not transfer, check that all phases are present, and of the correct voltage. If the contact still does not transfer, remove power and reverse two of the three phase wires (*phase rotation is reversed*). Re-apply power. The contact should transfer to provide a signal path between terminals C and N.O.

Refer to datasheet of the 3-phase monitor being used for additional information.

NOTE: When installing the Model 2480 in areas of high humidity or contamination, it is recommended that the base area and all exposed metal parts of the socket be coated liberally with a good quality silicone grease, such as Dow Corning DC-4 or DC-4X. Insert the unit into the socket and wipe off excess grease around the base. This will prevent the entrance of moisture and other contaminants into the base and socket areas.

TYPICAL APPLICATION



TROUBLESHOOTING

Should the Voltage Extender fail to operate properly, check that all three voltages are present, and are of the correct voltage level and phase rotation (a Model 188 Phase Sequence Detector should be used to verify phase rotation). Check all fuses and verify that all wiring connections are correct. If problems persist, contact your local Time Mark Distributor, or the factory for assistance (Monday-Friday, 8 a.m. to 5 p.m. CST).

WARRANTY

This product is warranted to be free from defects in materials and workmanship for one year. Should this device fail to operate, we will repair it for one year from the date of manufacture. For complete warranty details, see the Terms and Conditions of Sales page in the front section of the Time Mark catalog or contact Time Mark at 1-800-862-2875.

Telephone: Main - (918) 438-1220

Sales - (800) 862-2875

Fax: (918) 437-7584

E-mail: sales@time-mark.com

Internet: http://www.time-mark.com



TIME MARK
CORPORATION

11440 East Pine Street
Tulsa, Oklahoma 74116

12/2020
© 2020 TIME MARK CORPORATION