

PART NO. 980544

Smart Socket



- Allows socket-mounted phase loss monitors to operate up to 635VAC phase-to-phase
- No adjustments required— simply connect power and control circuits
- CSA Certified

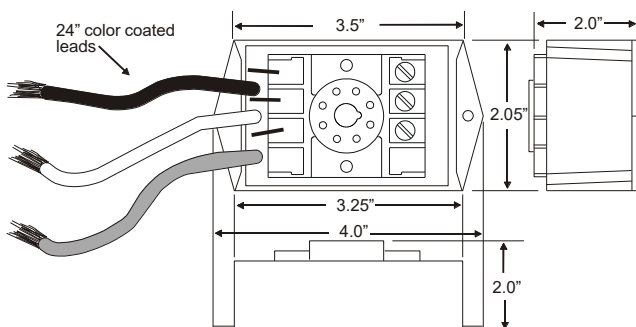
DESCRIPTION

The **Model 980544 Smart Socket** is the first socket which will allow monitoring of voltages up to 635VAC with a socket-mounted Time Mark phase loss relay. The appropriate relay will allow monitoring for phase loss, phase reversal, low voltage and high voltage conditions.

A key safety feature of the Smart Socket is that it will not allow the voltage potential at the pin connections to rise to the full input voltage when the relay is removed. Refer to the Application Charts for more information.

Two versions of the Smart Socket are available. One for 480VAC applications and one for 575VAC applications. The Smart Socket is designed to only be used with **Time Mark Models B246, 253, 257B and 258B**. Each of these relays are covered by Time Mark's Unconditional 5-Year Warranty.

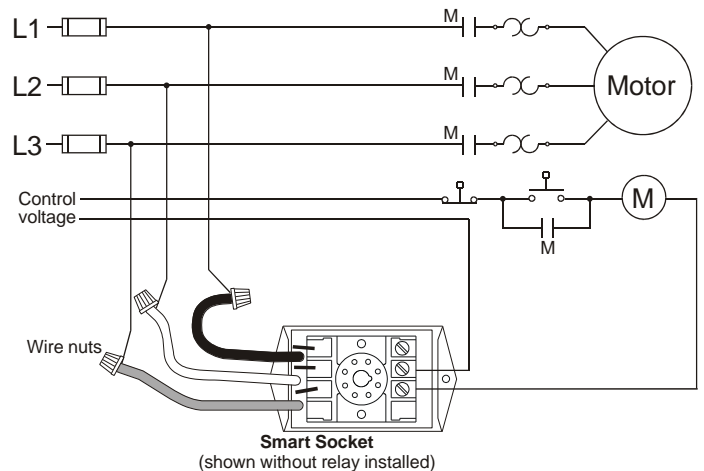
DIMENSIONS



SPECIFICATIONS

Model	Type C	Type D
Nominal Input Voltage	480VAC	575VAC
Maximum Input Voltage	520VAC	635VAC
Power Consumption	6 Watts Max.	
Operating Frequency	50 - 400Hz (socket only)	
Humidity Tolerance	0 - 97% without condensation	
Weight	9 oz.	
Agency Approvals	CSA Certified	
ORDERING INFORMATION		
MODEL	VOLTAGE/TYPE	
980544-01	480VAC Type C	
980544-02	575VAC Type D	

TYPICAL APPLICATION



WARRANTY

This product is warranted to be free from defects in materials and workmanship for one year. Should this device fail to operate, we will repair it for one year from the date of manufacture. For complete warranty details, see the *Terms and Conditions of Sales* page in the front section of the Time Mark catalog or contact Time Mark at 1-800-862-2875.

Telephone: Main - (918) 438-1220
Sales - (800) 862-2875
Fax: (918) 437-7584

E-mail: sales@time-mark.com
Internet: http://www.time-mark.com



11440 East Pine Street
Tulsa, Oklahoma 74116

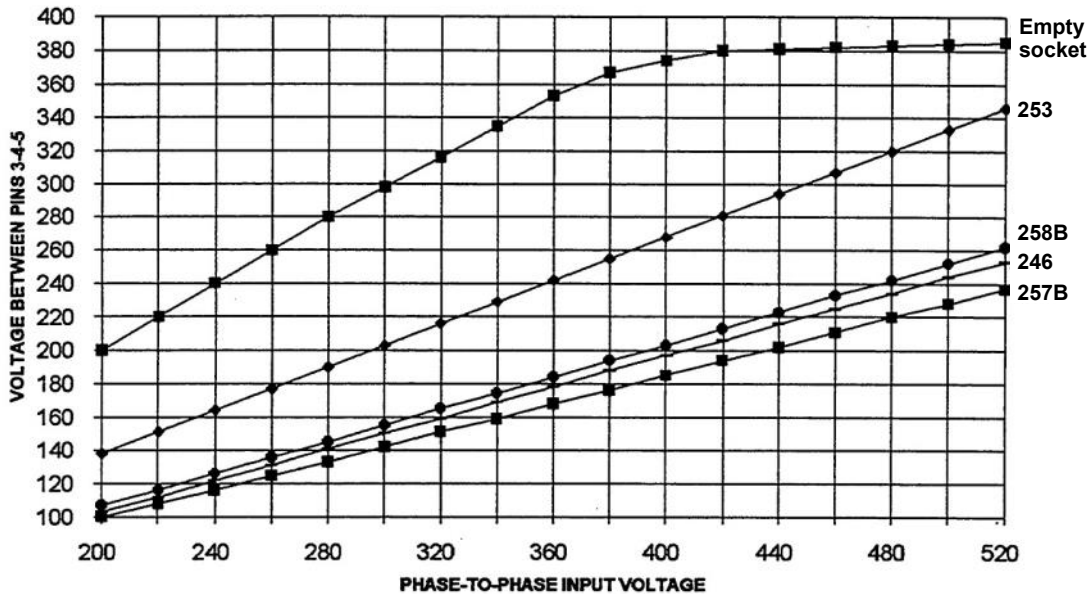
07/2016
© 2016 TIME MARK CORPORATION

TIME MARK is a division of  AEMT, Inc.

PART NO. 980544

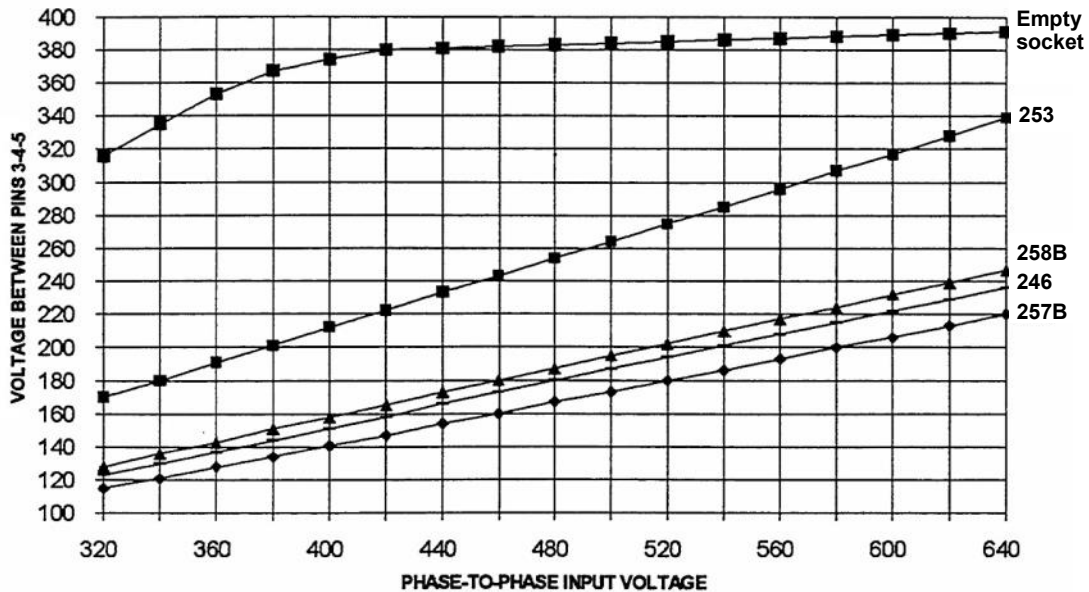
Smart Socket

Chart 1: Type C Smart Socket for 480VAC applications



As shown above, with a monitor inserted in the socket, the voltage on pins 3, 4 and 5 is limited to the operating range of the monitor. The voltage change is linear over the full adjustment range of the monitor. With the monitor removed, the voltage potential rises to the input voltage level. However, the Smart Socket limits the voltage potential from approximately 380VAC to 520VAC so that it never rises above 395VAC.

Chart 2: Type D Smart Socket for 600VAC applications



As shown above, with a monitor inserted in the socket, the voltage on pins 3, 4 and 5 is limited to the operating range of the monitor. The voltage change is linear over the full adjustment range of the monitor. With the monitor removed, the voltage potential rises to the input voltage level. However, the Smart Socket begins limiting the voltage potential at approximately 380VAC so that it never rises above 390VAC.

Telephone: Main - (918) 438-1220
Sales - (800) 862-2875
Fax: (918) 437-7584

E-mail: sales@time-mark.com
Internet: <http://www.time-mark.com>



11440 East Pine Street
Tulsa, Oklahoma 74116

07/2016
© 2016 TIME MARK CORPORATION

TIME MARK is a division of  AEMT, Inc.