

# MODEL ENCDIN

## Safety Enclosure with DIN Rail

- Meets NEMA-1 standards
- Helps prevent accidental contact with hazardous voltages
- Hinged for easy access

### DESCRIPTION

The **ENCDIN** series of safety enclosures were designed to provide external protection for 8-Pin and 11-Pin socket-mounted devices such as: 3-Phase Monitors, Voltage Monitors, Current Monitors, Alternating Relays, Time Delay Relays, Liquid Level Controls, Transducers and Power Supplies.

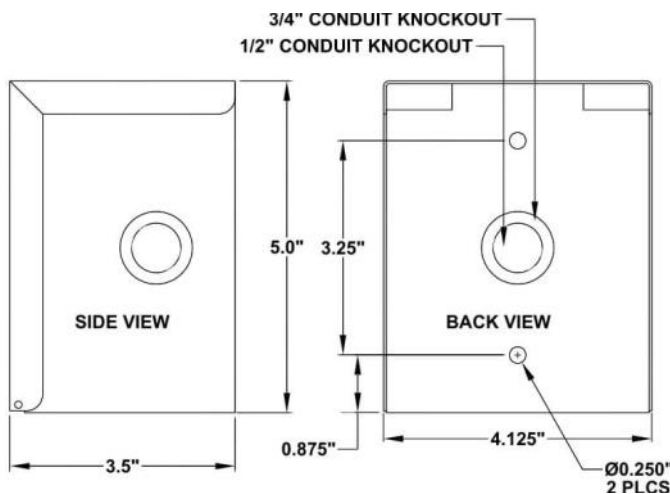
Each enclosure is made of 20 gauge steel with a dark gray powder coat finish. Half-inch and three-quarter inch conduit knockouts are provided on three sides. The door is hinged to allow easy mounting and access.

A standard 35mm DIN rail is attached inside each model of the ENCDIN series and some models also include 1 or 2 pre-mounted sockets (See table below)



Model ENCDIN-11PIN Shown Above

### DIMENSIONS



| MODEL         | SOCKETS INSTALLED  |
|---------------|--|
| ENCDIN        | NONE   |
| ENCDIN-8PIN   | 1 x 8-PIN SOCKET<br>(Socket Model 51X120 10A at 600VAC)  |
| ENCDIN-8PIN-2 | 2 x 8-PIN SOCKET<br>(Socket Model 51X120 10A at 600VAC)  |
| ENCDIN-11PIN  | 1 x 11-PIN SOCKET<br>(Socket Model 51X016 10A at 300VAC) |

Telephone: Main - (918) 438-1220  
Sales - (800) 862-2875  
Fax: (918) 437-7584

E-mail: sales@time-mark.com  
Internet: http://www.time-mark.com



11440 East Pine Street  
Tulsa, Oklahoma 74116

11/2021  
© 2021 TIME MARK CORPORATION

# MODEL ENCDIN

# Safety Enclosure

READ ALL INSTRUCTIONS BEFORE INSTALLING, OPERATING OR SERVICING THIS DEVICE.  
KEEP THIS DATA SHEET FOR FUTURE REFERENCE.

## GENERAL SAFETY

ALL ELECTRICAL POWER SHOULD BE REMOVED WHEN CONNECTING OR DISCONNECTING WIRING.  
THIS DEVICE SHOULD BE INSTALLED AND SERVICED BY QUALIFIED PERSONNEL.

## Installation Instructions

### INSTALLATION

Connect the wiring to the terminals on the socket, refer to the datasheet on the particular model you are installing for more information.

The Safety Enclosure is a 20 gauge steel case. Inspect all wiring and terminal connections for exposed conductors, loose connections, and pinched wires. Follow all instructions and apply power.

### TROUBLESHOOTING

If the installed unit fails to operate, check all connections. Verify that power is present, and check all fuses. Recheck the installation instructions for the installed unit. Should problems persist, contact the factory at 800-862-2875 for assistance.

### WARRANTY

This product is warranted to be free from defects in materials and workmanship for one year. Should this device fail to operate, we will repair it for one year from the date of manufacture. For complete warranty details, see the *Terms and Conditions of Sales* page in the front section of the Time Mark catalog or contact Time Mark at 1-800-862-2875.

Telephone: Main - (918) 438-1220  
Sales - (800) 862-2875  
Fax: (918) 437-7584

E-mail: [sales@time-mark.com](mailto:sales@time-mark.com)  
Internet: <http://www.time-mark.com>



**TIME MARK**  
CORPORATION

11440 East Pine Street  
Tulsa, Oklahoma 74116

11/2021  
© 2021 TIME MARK CORPORATION