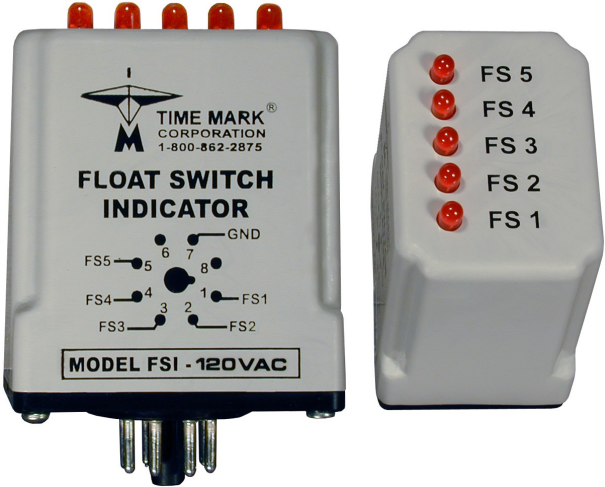


MODEL FSI

Float Switch Indicator

- LED Status On Up To 5 Floats
- 24 VAC or 120 VAC



DESCRIPTION

The Model FSI Float Switch Indicator Displays the status of up to 5 float switches

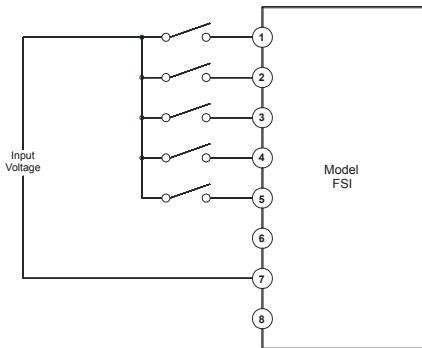
The float switches are connected as shown below. When a float switch closes, the corresponding LED lights. When a float switch opens, the corresponding LED goes out.

INSTALLATION

****GENERAL SAFETY**** Potentially hazardous voltages are present at the terminals of the model FSI. All electrical power should be removed when connecting or disconnecting wiring. This device should be installed and serviced by qualified personnel.

Connect the control and float wiring to the terminals specified below (or refer to the pin out diagram on the unit). Apply power.

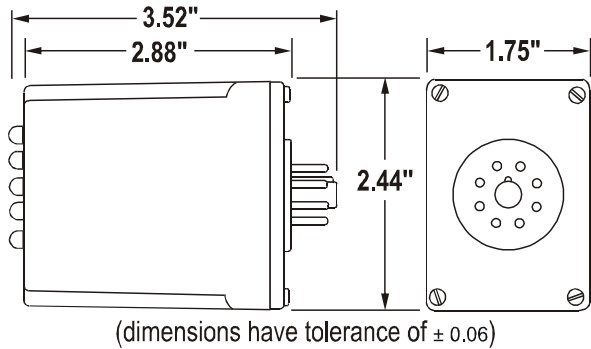
APPLICATIONS



SPECIFICATIONS

Model	FSI-24	FSI-120
Nominal AC Voltage	24VAC	120VAC
Inputs	Pin 1 = Float Sw 1 Pin 2 = Float Sw 2 Pin 3 = Float Sw 3 Pin 4 = Float Sw 4	Pin 5 = Float Sw 5 Pin 6 = Not Used Pin 7 = Ground Pin 8 = Not Used
Outputs	One red LED for each of the 5 float inputs	
Operating Temp	- 40° to +131° F	
Storage Temperature	- 40° to +158° F	
Humidity Tolerance	0 - 97% w/o condensation	
Enclosure Material	Dust cover: ABS plastic	
Mounting	8-pin socket (**sold separately)	
Weight	3 oz.	

DIMENSIONS



WARRANTY

This product is warranted to be free from defects in materials and workmanship for one year. Should this device fail to operate, we will repair it for one year from the date of manufacture. For complete warranty details, see the Terms and Conditions of Sales page in the front section of the Time Mark catalog or contact Time Mark at 1-800-862-2875.

Telephone: Main - (918) 438-1220
 Sales - (800) 862-2875
 Fax: (918) 437-7584
 E-mail: sales@time-mark.com
 Internet: http://www.time-mark.com



11440 East Pine Street
 Tulsa, Oklahoma 74116

01/2012
 © 2012 TIME MARK CORPORATION

TIME MARK is a division of  AEMT, Inc.