

MODEL 60

Bistable Impulse Latching Relay

- Provides Alternation
- Standard Relay Wiring
- 8-Pin Socket Mount



DESCRIPTION

The Model 60 is a Bistable Impulse Latch Relay. When power pulse is applied, the Impulse LED on the top of the relay will illuminate and the relay will change state. Power can then be removed and the relay will remain in that state (mechanical latch). When power pulse is reapplied, the relay will change state and latch.

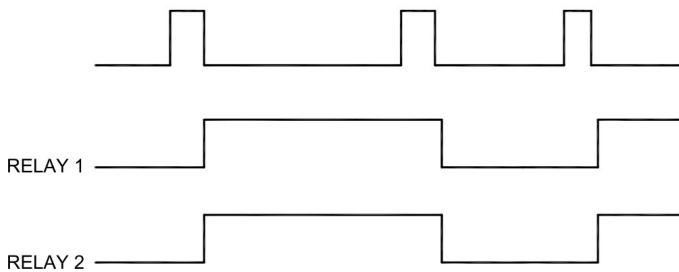
SPECIFICATIONS

Models	60-24	60-120	60-240
Operating Voltage	20-28 VAC/DC	100-140 VAC/DC	200-255 VAC/DC
Power Consumption	.25W max	1.5W max	2.25W max
Transient Protection	2500V for 10ms		
Minimum Pulse Width	150ms		
Output Contacts	DPDT 10A at 120VAC resistive		
Operating Temp	0° to +130° F		
Humidity Tolerance	0-97% w/o condensation		
Enclosure	ABS plastic		
Mounting	8-Pin Socket (**sold separately)		
Weight	5 oz.		

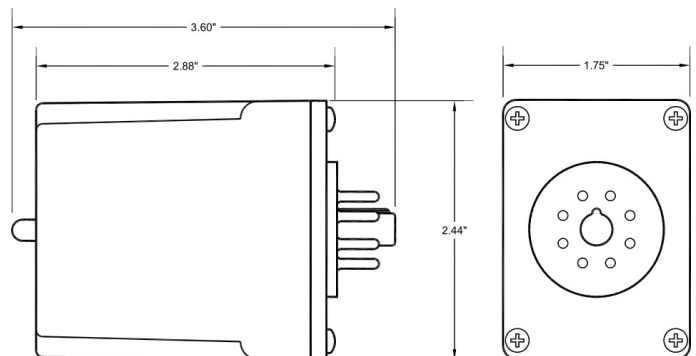
**Order 8-pin socket number 51x120

TIMING DRAWING

INPUT PULSES - MINIMUM 500 mS.



DIMENSIONS



(dimensions have a tolerance of ± 0.06)

Telephone: Main - (918) 438-1220
Sales - (800) 862-2875
Fax: (918) 437-7584

E-mail: sales@time-mark.com
Internet: http://www.time-mark.com



11440 East Pine Street
Tulsa, Oklahoma 74116

04/2026
© 2026 TIME MARK CORPORATION

MODEL 60

Bistable Impulse Latching Relay

READ ALL INSTRUCTIONS BEFORE INSTALLING, OPERATING OR SERVICING THIS DEVICE.
KEEP THIS DATA SHEET FOR FUTURE REFERENCE.

GENERAL SAFETY

POTENTIALLY HAZARDOUS VOLTAGES ARE PRESENT AT THE TERMINALS OF THE MODEL 60.
ALL ELECTRICAL POWER SHOULD BE REMOVED WHEN CONNECTING OR DISCONNECTING WIRING.
THIS DEVICE SHOULD BE INSTALLED AND SERVICED BY QUALIFIED PERSONNEL.

Installation Instructions

INSTALLATION

Mount the 8-pin socket in a suitable enclosure. A NEMA-1 rated enclosure, designed for socket-mounted relays is available from Time Mark Corporation.

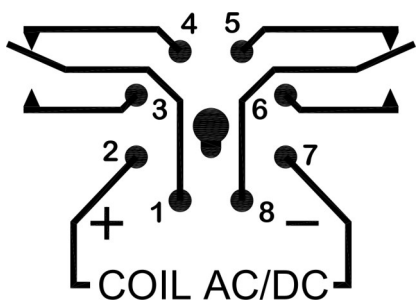
The Model 60 Impulse Relay requires a standard 8-pin socket for mounting, and uses a standard pin configuration. For terminal connections, please refer to the pin drawing shown below and printed on the timer relay.

NOTE: When installing the Model 60 monitor in areas of high humidity or contamination, it is recommended that the base area and all exposed metal parts of the socket be coated liberally with a good quality silicone grease, such as Dow Corning DC-4 or DC-4X. Insert the unit into the socket and wipe off excess grease around the base. This will prevent the entrance of moisture and other contaminants into the base and socket areas.

WARRANTY

This product is warranted to be free from defects in materials and workmanship, and is covered by our exclusive **5-year Unconditional Warranty**. Should this device fail to operate for any reason, we will repair it for five years from the date of manufacture. For complete warranty details, see the *Terms and Conditions of Sales* page in the front section of the Time Mark catalog or contact Time Mark at 1-800-862-2875.

PIN DIAGRAM



Telephone: Main - (918) 438-1220
Sales - (800) 862-2875
Fax: (918) 437-7584

E-mail: sales@time-mark.com
Internet: http://www.time-mark.com



TIME MARK
CORPORATION

11440 East Pine Street
Tulsa, Oklahoma 74116

04/2026
© 2026 TIME MARK CORPORATION